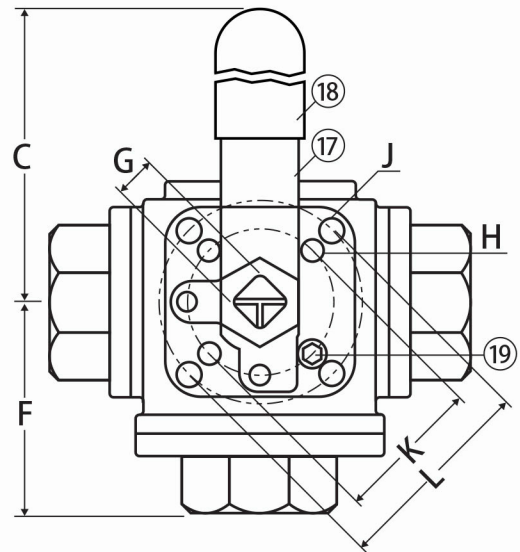
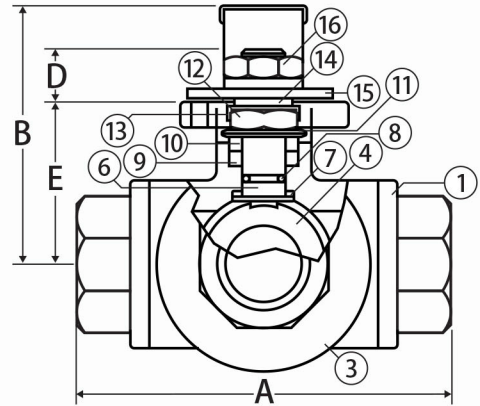




# Direct Mount Ball Valve

**3-Way • Full Port • Threaded Connection • 1000 WOG •  
with ISO Mounting Pad**



## Features

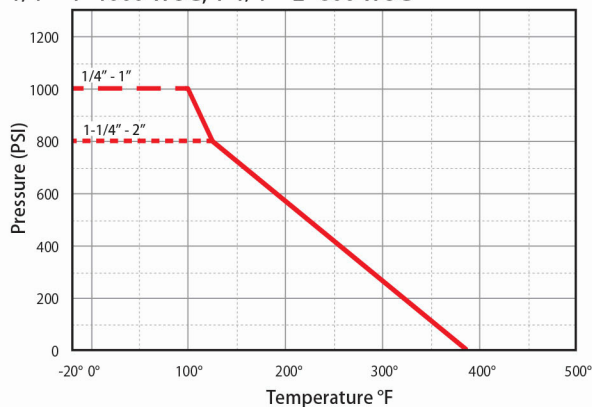
- ISO 5211 mounting pad
- Self adjusting stem packing
- Blow-out proof stem design
- Temperature range: -20°F to 450°F
- Four seat standard
- Locking device may be locked in open or closed position
- 100% tested
- Wetted surface contains less than .25% lead content

## Approvals

- ANSI B1.20.1

## Valve Seat Rating

1/4" - 1" 1000 WOG, 1-1/4" - 2" 800 WOG



## Material Specifications

No.	Part	Materials	No.	Part	Materials
1	End Cap	CF8	11	Disc Washer	SS301
2	Gasket*	PTFE	12	Stem Nut	SS304
3	Body	CF8	13	Nut Stop	SS304
4	Ball	SS304	14	Space Washer	SS304
5	Seat*	PTFE	15	Stopper Plate	SS304
6	Stem	SS304	16	Handle Nut	SS304
7	Thrust Washer	RPTFE	17	Handle	SS304
8	O-Ring	Viton	18	Sleeve	Plastic
9	Stem Packing	PTFE	19	Stop Pin	SS304
10	Gland	SS304			

\*Not Shown

## Dimensions

Size	A	B	C	D	E	F	G	H	J	K	L	Port	Torque
1/4"	2.83	2.44	5.12	0.37	1.46	1.38	0.35	0.24	0.24	1.42	1.65	0.43	107
3/8"	2.83	2.44	5.12	0.37	1.46	1.38	0.35	0.24	0.24	1.42	1.65	0.47	107
1/2"	3.33	2.52	5.12	0.43	1.65	1.59	0.35	0.24	0.24	1.42	1.65	0.59	133
3/4"	3.94	3.23	6.50	0.55	1.93	1.95	0.43	0.24	0.28	1.65	1.97	0.79	160
1"	4.45	3.50	6.50	0.55	2.17	2.22	0.43	0.24	0.28	1.65	1.97	0.98	293
1-1/4"	4.94	3.86	8.07	0.67	2.48	2.44	0.55	0.28	0.36	1.97	2.76	1.26	532
1-1/2"	5.91	4.25	8.07	0.63	2.91	2.89	0.55	0.28	0.36	1.97	2.76	1.50	664
2"	6.85	5.51	12.80	0.83	3.62	3.43	0.67	0.36	0.45	2.76	4.02	1.97	744

Note: Torque is in (in-lb)

\_\_ in part number must specify ball- T = T-port; L = L-port

Note: Information subject to change without notice.